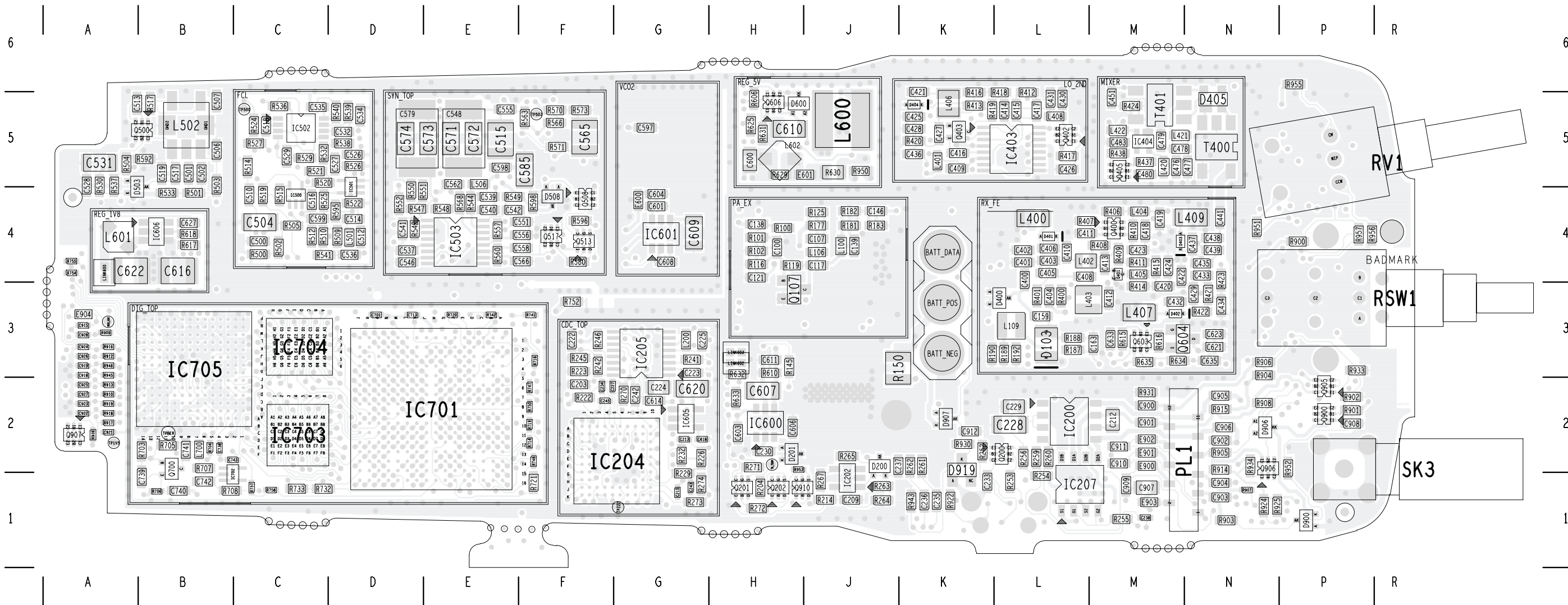
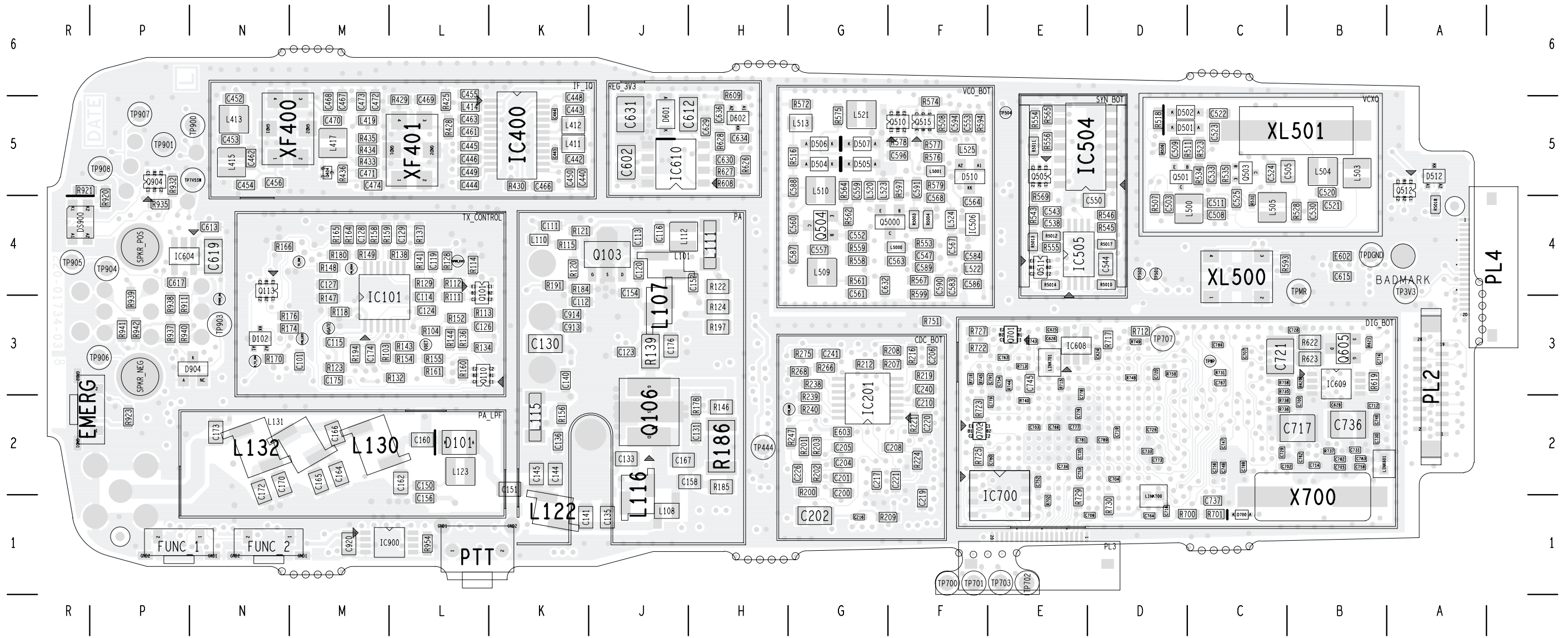


Parts List

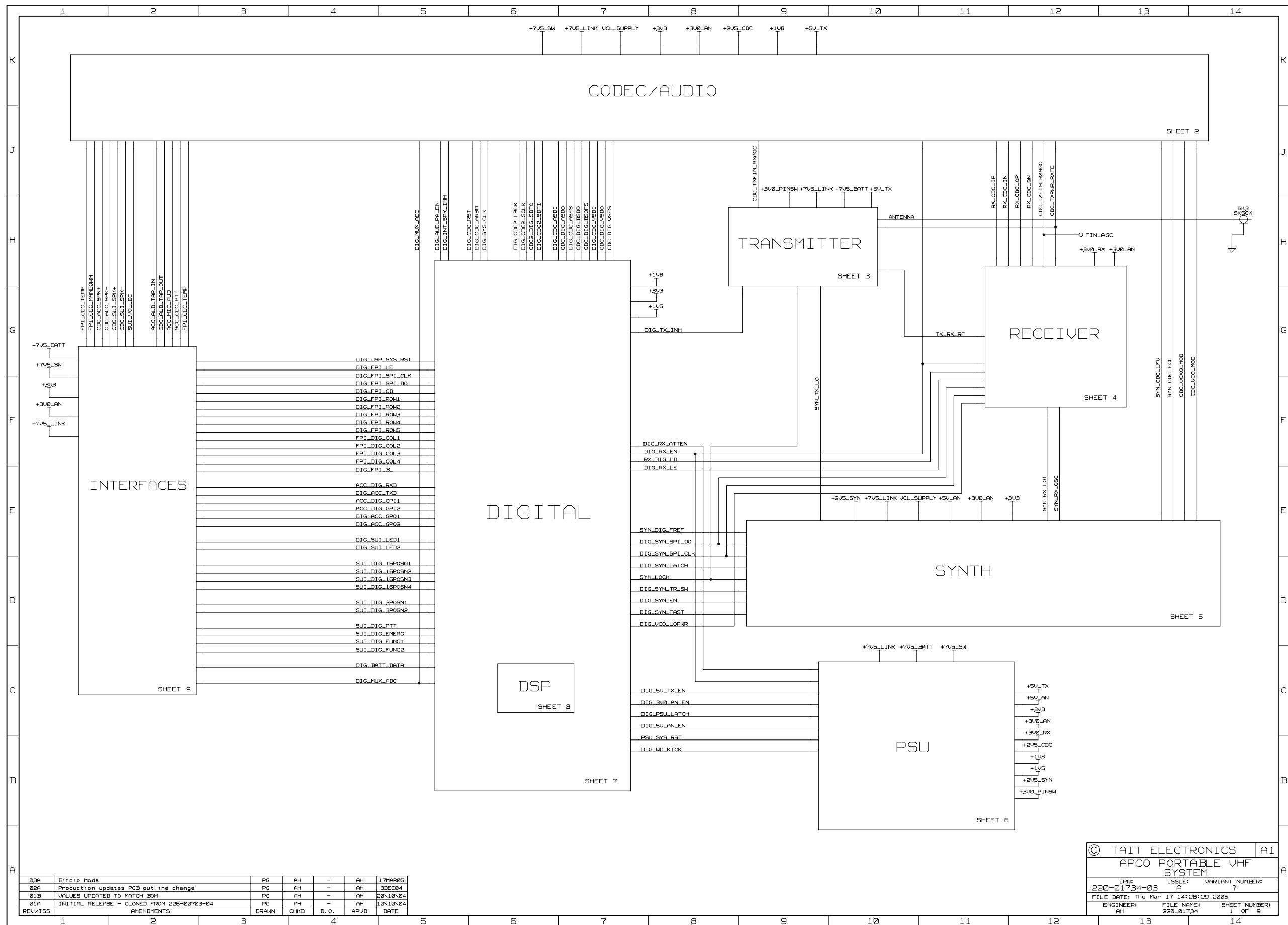
Ref	Var	IPN	Description
R909		041-14220-10	Res 0402 2k2 1%
R910		041-14220-10	Res 0402 2k2 1%
R911		038-12470-00	Res 0603 47R 1/10w 5%
R912		041-14220-10	Res 0402 2k2 1%
R913		041-14220-10	Res 0402 2k2 1%
R914		038-15470-10	Res 0603 47k 1/10w 1%
R915		038-15470-10	Res 0603 47k 1/10w 1%
R916		041-14220-10	Res 0402 2k2 1%
R917		041-14220-10	Res 0402 2k2 1%
R918		041-14220-10	Res 0402 2k2 1%
R919		041-14220-10	Res 0402 2k2 1%
R920		038-13270-10	Res 0603 270R 1/10w 1%
R921		038-13100-00	Res 0603 100R 1/10w 5%
R922		038-15470-10	Res 0603 47k 1/10w 1%
R923		038-15470-10	Res 0603 47k 1/10w 1%
R924		038-15470-10	Res 0603 47k 1/10w 1%
R925		038-15470-10	Res 0603 47k 1/10w 1%
R930		038-13100-10	Res 0603 100R 1/10w 1%
R931		038-15470-10	Res 0603 47k 1/10w 1%
R932		038-15220-10	Res 0603 22k 1%
R933		038-13120-00	Res 0603 120R 1/10w 5%
R934		038-13120-00	Res 0603 120R 1/10w 5%
R935		038-15220-10	Res 0603 22k 1%
R936		041-14220-10	Res 0402 2k2 1%
R937		038-15470-10	Res 0603 47k 1/10w 1%
R938		038-15470-10	Res 0603 47k 1/10w 1%
R939		038-15470-10	Res 0603 47k 1/10w 1%
R940		038-15470-10	Res 0603 47k 1/10w 1%
R941		038-15470-10	Res 0603 47k 1/10w 1%
R942		038-15470-10	Res 0603 47k 1/10w 1%
R943		038-16100-10	Res 0603 100k 1/10w 1%
R945		041-13820-10	Res 0402 820R 1% 100PPM
R946		041-13820-10	Res 0402 820R 1% 100PPM
R950		038-10000-00	Res 0603 Zero Ohm 1/16w ± 5%
R952		038-14100-00	Res 0603 1k0 1/10w 5%
R953		041-14220-10	Res 0402 2k2 1%
R954		038-15180-00	Res 0603 18k 1/10w 5%
R5003		038-14390-10	Res 0603 3k9 1/10w 1%
R5010		038-15100-10	Res 0603 10k 1/10w 1%
R5011		038-15220-10	Res 0603 22k 1%
R5012		038-14220-00	Res 0603 2k2 1/10w 5%
R5014		038-15100-10	Res 0603 10k 1/10w 1%
R5017		038-15220-10	Res 0603 22k 1%
R5018		038-13100-10	Res 0603 100R 1/10w 1%
REG_1V8		319-00098-00	Shld SMD 12.45x 8.85x3
REG_3V3		319-01002-00	Shld SMD 15.5x11.7x3.5
REG_5V		319-01002-00	Shld SMD 15.5x11.7x3.5
RX_FE		319-00099-00	Shld SMD 27.15x18.6x3.4
SPKR_POS		356-01070-00	Spring Spkr Cntct Probe
SPKR_NEG		356-01070-00	Spring Spkr Cntct Probe
SYN_BOT		319-01205-00	Shld Top Slide VCO T/Orca
SYN_TOP		319-01208-02	Shld Synth/If T/Orca
T400		050-10061-70	Bal Mxr SMD 617db-1018
T401		050-10061-70	Bal Mxr SMD 617db-1018
TX_CONTR0		319-00099-00	Shld SMD 27.15x18.6x3.4
VCO2		319-01205-00	Shld Top Slide VCO T/Orca
VCO_BOT		319-01206-01	Shld Bttm Slide VCO T/Orca
VCXO		319-01001-00	Shld SMD 24.4x14.35x4.6
X700		274-10245-00	XTAL 24M576 HC49/SML 10PPM
XF400		276-10000-19	Filtr Xtal 21.4m 13k B/W -E13a
XF401		276-10000-10	Filtr Xtal 21.4m 15k B/W
XL500		539-10011-00	Vctcxo 13.0MHz +-1.5ppm -30+80
XL501		274-10022-05	XTAL 13M0133 HC49/SML 30PPM



TAIT ELECTRONICS	IPN: 220-01734-03	ISS: A	DATE: 23Mar05	SCALE: NTS
APCO PORTABLE B1 LAYOUT-PRIMARY-SIDE				

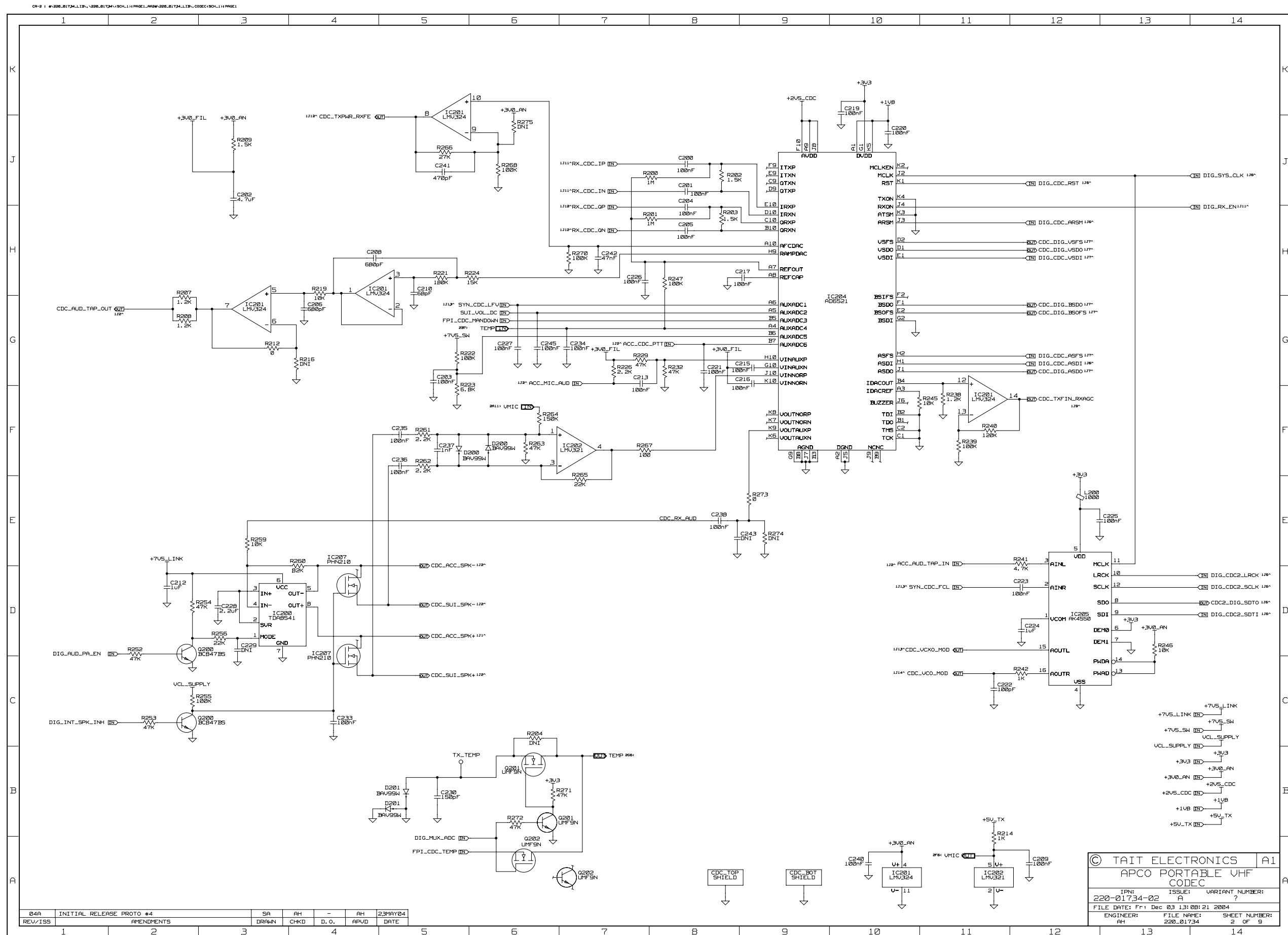


TAIT ELECTRONICS IPN: 220-01734-03 ISS: A DATE: 23Mar05 SCALE: NTS
 APCO PORTABLE B1 LAYOUT-SECONDARY-SIDE



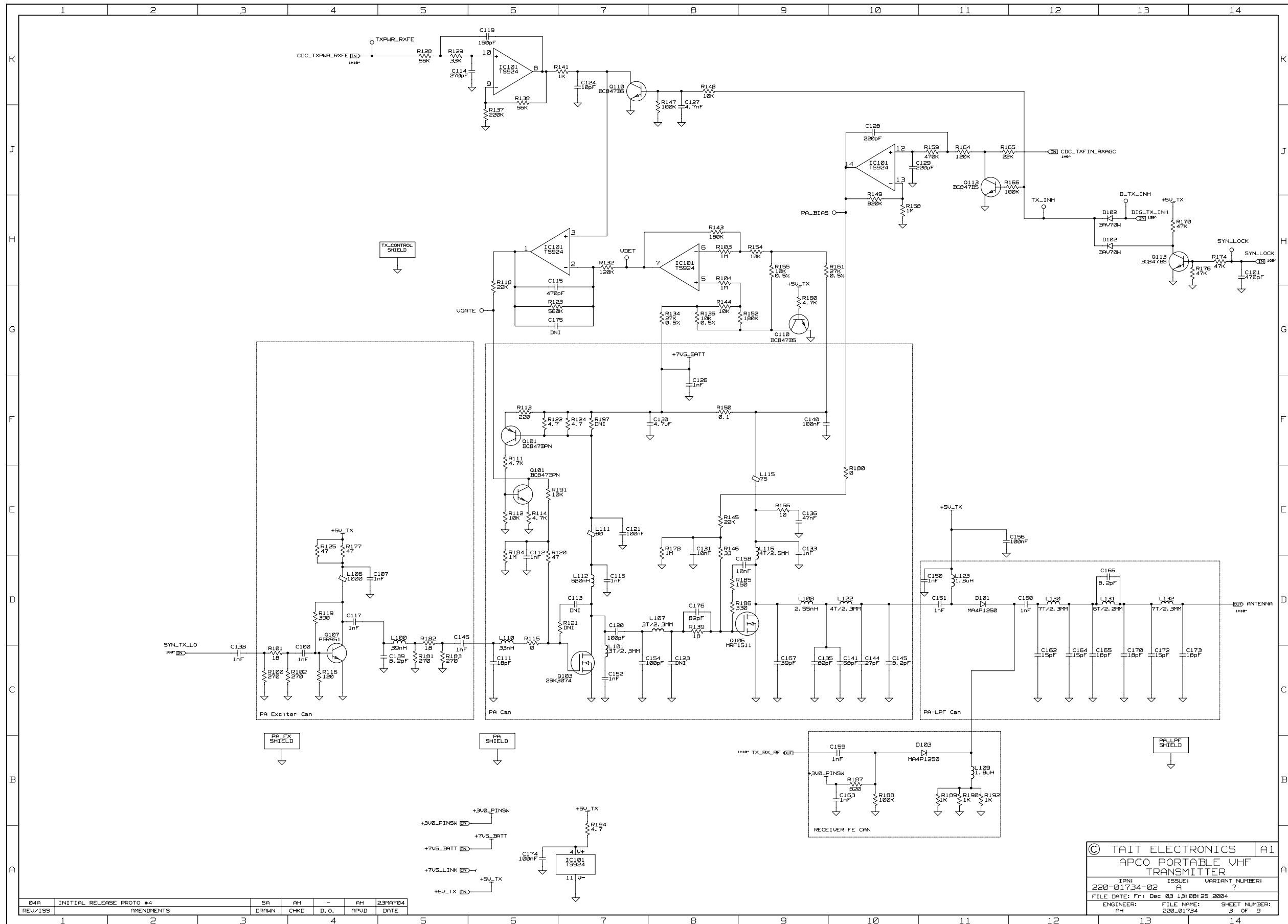
REV/ISS	AMENDMENTS	DRAWN	CHKD	D. O.	APVD	DATE
03A	Birdie Mods	PG	AH	-	AH	17MAR05
02A	Production updates PCB outline change	PG	AH	-	AH	3DEC04
01B	VALUES UPDATED TO MATCH BOM	PG	AH	-	AH	20/10/04
01A	INITIAL RELEASE - CLONED FROM 226-00703-04	PG	AH	-	AH	10/10/04

© TAIT ELECTRONICS		A1
APCO PORTABLE VHF SYSTEM		
IPN: 220-01734-03	ISSUE: A	VARIANT NUMBER: ?
FILE DATE: Thu Mar 17 14:28:29 2005		
ENGINEER: AH	FILE NAME: 220_01734	SHEET NUMBER: 1 OF 9



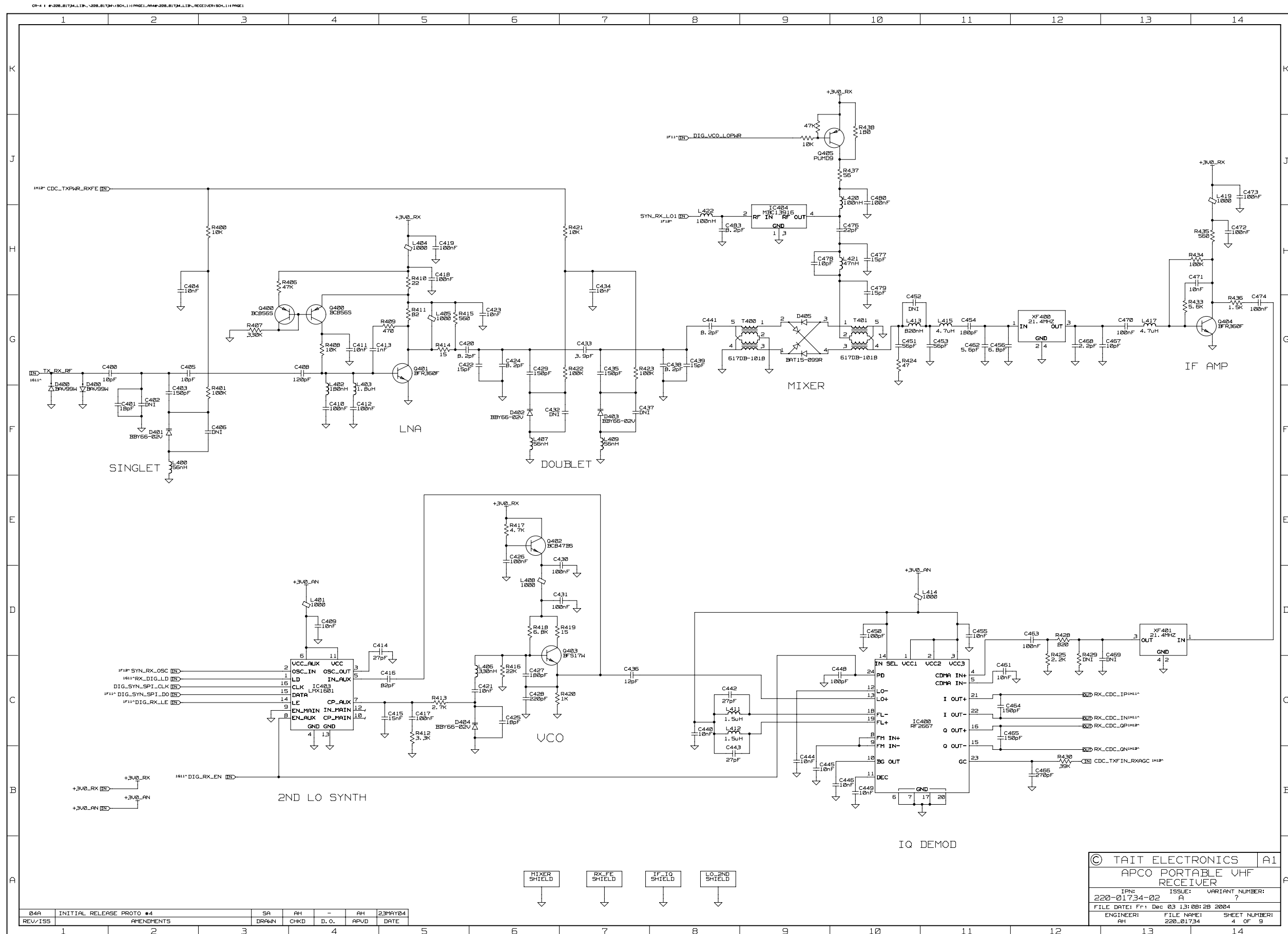
04A	INITIAL RELEASE PROTO #4	SA	AH	-	AH	23MAY04
REV.155	AMENDMENTS	DRAWN	CHKD	D. O.	APVD	DATE

© TAIT ELECTRONICS		A1
APCO PORTABLE VHF CODEC		
IPN: 220-01734-02	ISSUE: A	VARIANT NUMBER: ?
FILE DATE: Fr 1 Dec 03 13:08:21 2004	ENGINEER: AH	FILE NAME: 220_01734
SHEET NUMBER: 2 OF 9		



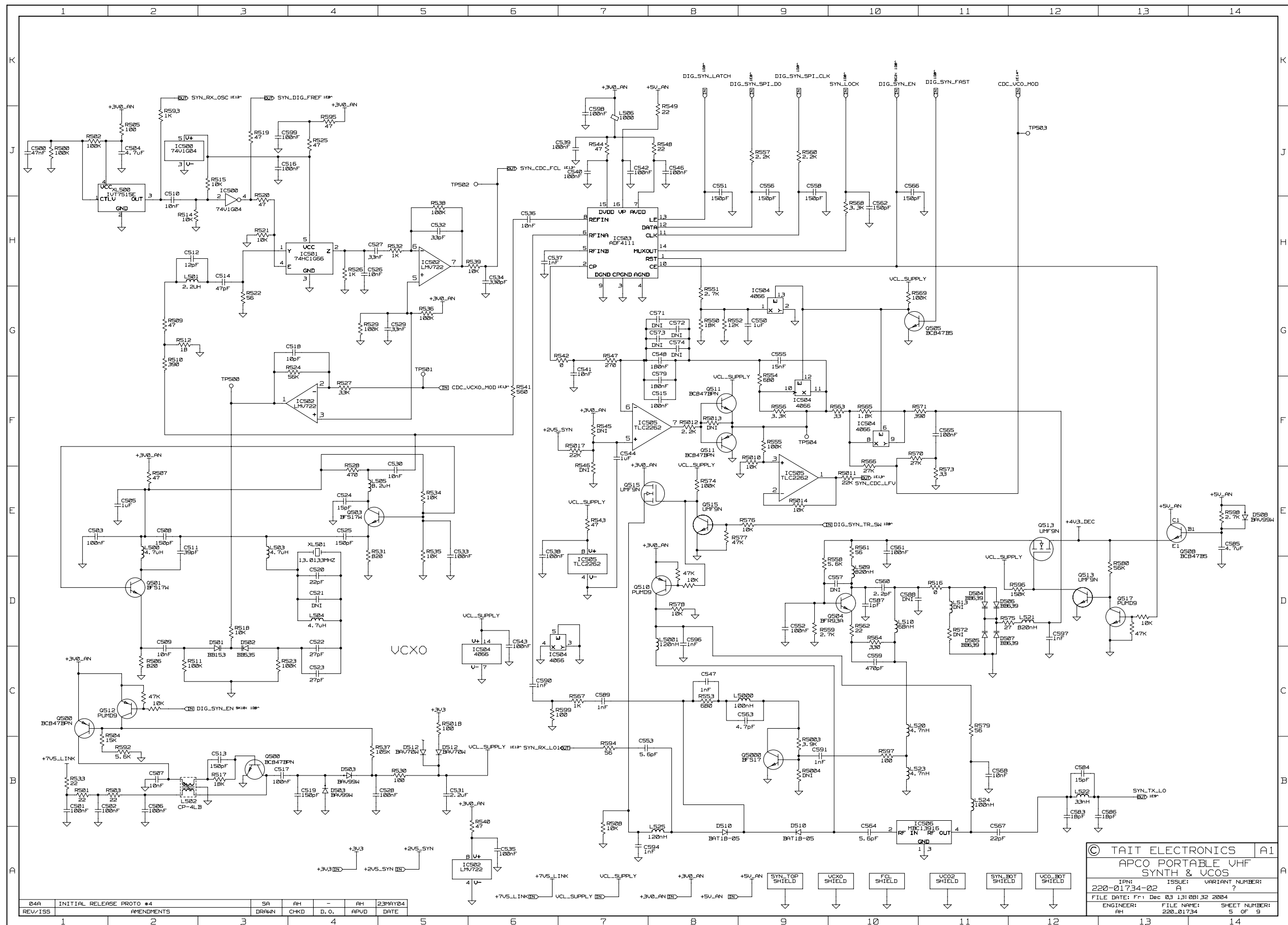
04A	INITIAL RELEASE PROTO #4	SA	AH	-	AH	23MAY04
REV/ISS	AMENDMENTS	DRAWN	CHKD	D. O.	APUD	DATE
1						

© TAIT ELECTRONICS		A1
APCO PORTABLE VHF TRANSMITTER		
IPN: 220-01734-02	ISSUE: A	VARIANT NUMBER: ?
FILE DATE: Fri Dec 03 13:08:25 2004	ENGINEER: AH	FILE NAME: 220_01734
		SHEET NUMBER: 3 OF 9



© TAIT ELECTRONICS		A1
APCO PORTABLE VHF RECEIVER		
IPN: 220-01734-02	ISSUE: A	VARIANT NUMBER: ?
FILE DATE: Fri Dec 03 13:08:28 2004		
ENGINEER: AH	FILE NAME: 220_01734	SHEET NUMBER: 4 OF 9

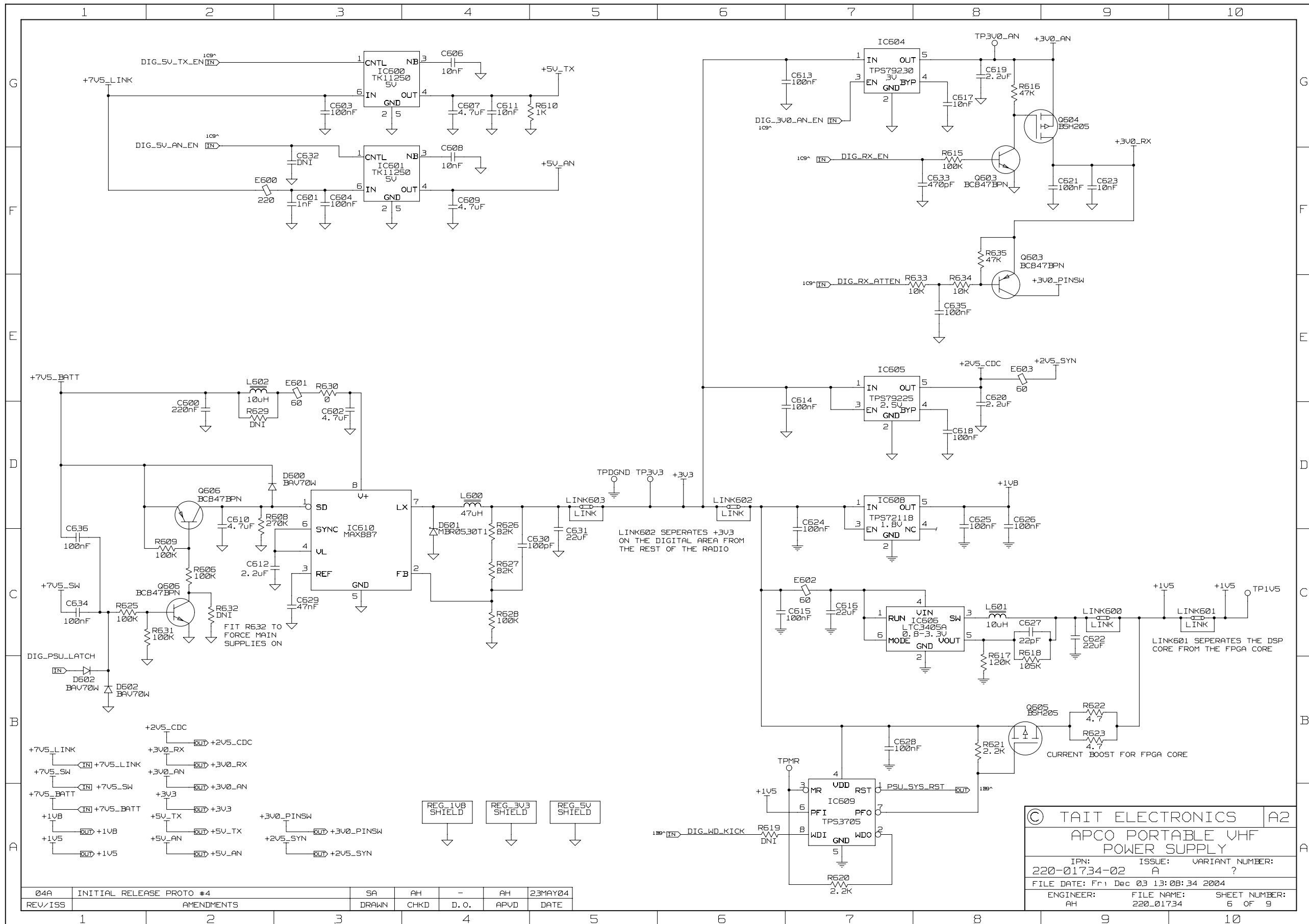
04A	INITIAL RELEASE PROTO #4	SA	AH	-	AH	23MAY04
REV/ISS	AMENDMENTS	DRAWN	CHKD	D. O.	APVD	DATE



© TAIT ELECTRONICS		A1
APCO PORTABLE VHF SYNTH & UCOS		
IPN:	ISSUE:	VARIANT NUMBER:
220-01734-02	A	?
FILE DATE:	FILE NAME:	SHEET NUMBER:
Fr Dec 03 13:08:32 2004	220-01734	5 of 9
ENGINEER:	FILE NAME:	SHEET NUMBER:
AH	220-01734	5 of 9

04A	INITIAL RELEASE PROTO #4	SA	AH	-	AH	23MAY04
REV/ISS	AMENDMENTS	DRAWN	CHKD	D.O.	APVD	DATE
1						

CR-6 : @220_01734_LIB\220_01734\SCH_1\PAGE1.A66\220_01734_LIB_PSU\SCH_1\PAGE1



04A	INITIAL RELEASE PROTO #4	SA	AH	-	AH	23MAY04
REV/ISS	AMENDMENTS	DRAWN	CHKD	D. O.	APVD	DATE

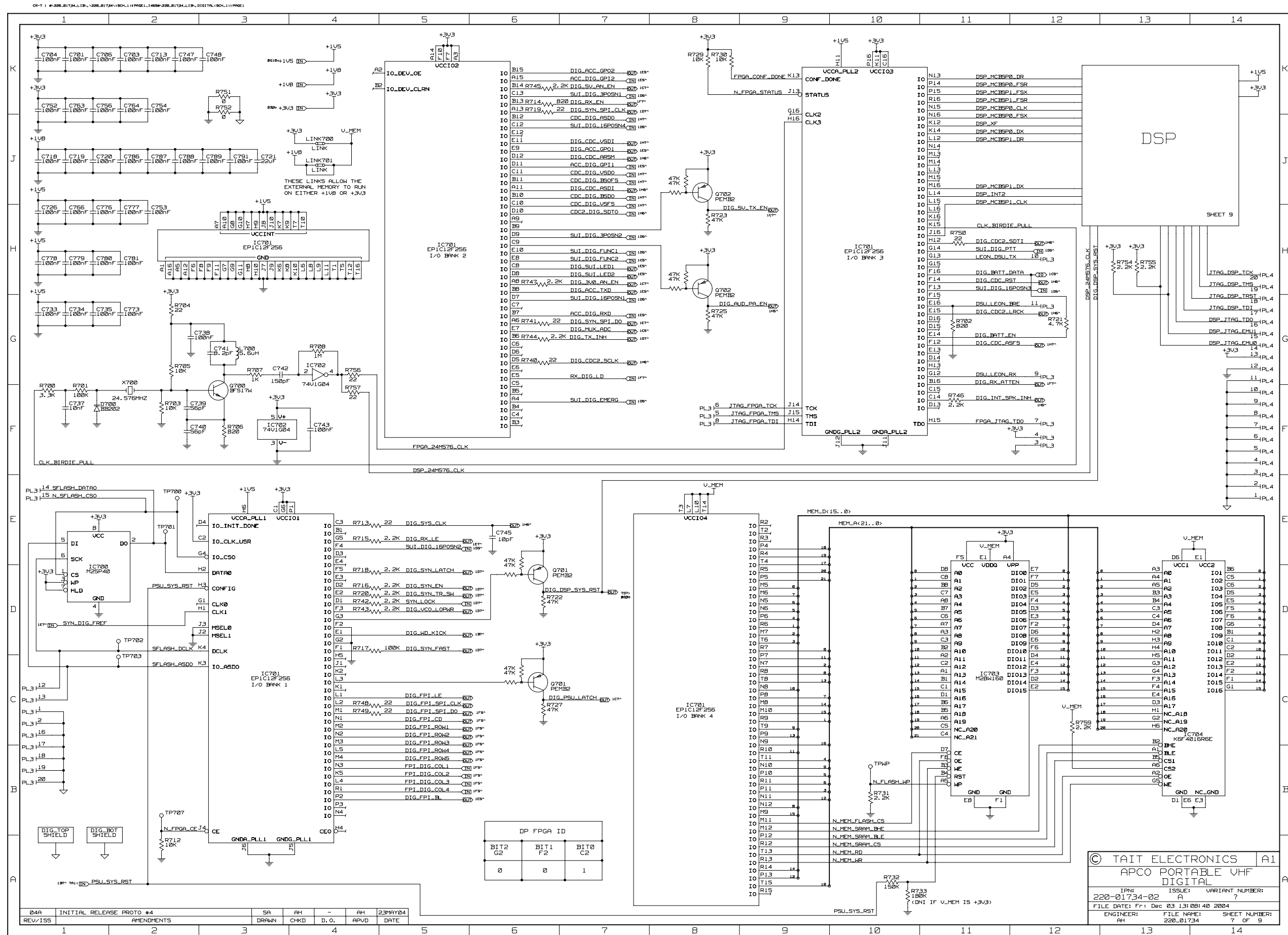
© TAIT ELECTRONICS A2

APCO PORTABLE VHF POWER SUPPLY

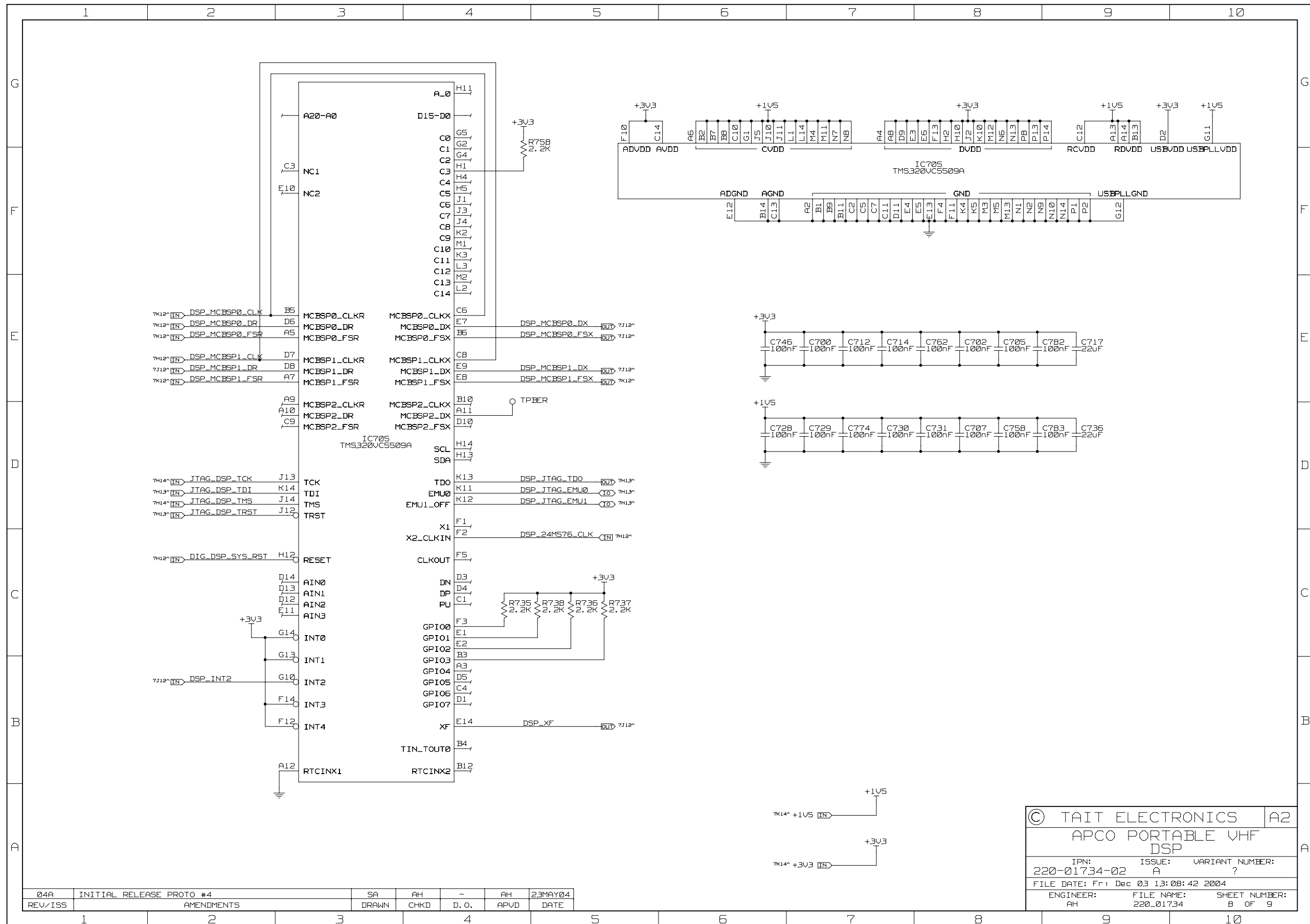
IPN: 220-01734-02 ISSUE: A VARIANT NUMBER: ?

FILE DATE: Fri Dec 03 13:08:34 2004

ENGINEER: AH FILE NAME: 220_01734 SHEET NUMBER: 6 OF 9



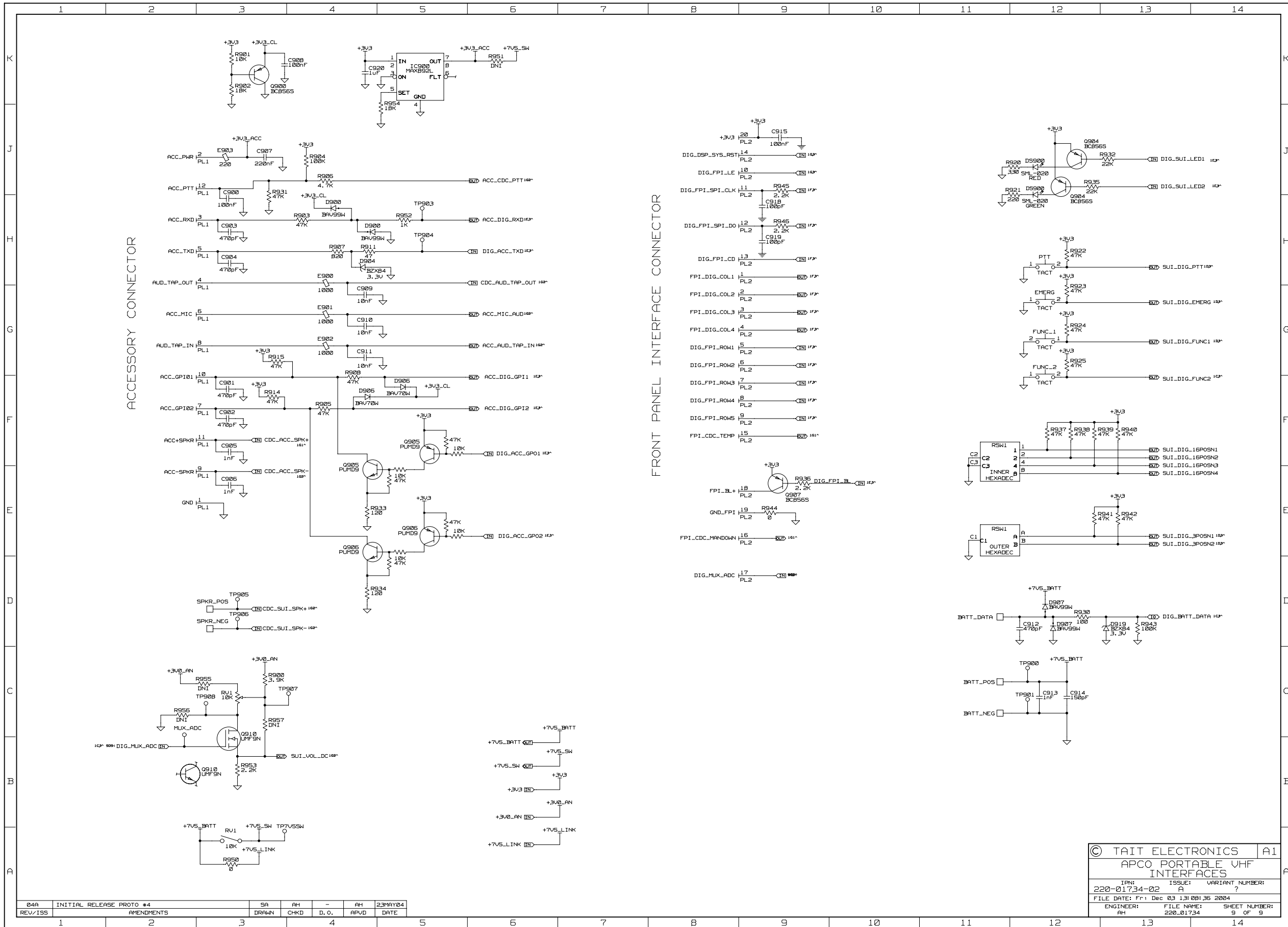
CR-B : \N220_01734_LIB\220_01734\SCH.1\PAGE1.LIB\220_01734.LIB.DIGITAL(SCH.1)\PAGE1.LIB\220_01734.LIB.DSP(SCH.1)\PAGE1



© TAIT ELECTRONICS		A2
APCO PORTABLE VHF DSP		
IPN:	ISSUE:	VARIANT NUMBER:
220-01734-02	A	?
FILE DATE: Fri Dec 03 13:08:42 2004		
ENGINEER:	FILE NAME:	SHEET NUMBER:
AH	220_01734	B OF 9

04A	INITIAL RELEASE PROTO #4	SA	AH	-	AH	23MAY04
REV/ISS	AMENDMENTS	DRAWN	CHKD	D. O.	APVD	DATE
1						

CP-9 1 #220-01734-03 PCB IPN 220-01734-03 INTERFACES SOL 111 PMS1



ACCESSORY CONNECTOR

FRONT PANEL INTERFACE CONNECTOR

B4A	INITIAL RELEASE PROTO #4	SA	AH	-	AH	23MAY04
REV/ISS	AMENDMENTS	DRAWN	CHKD	D.O.	APVD	DATE

© TAIT ELECTRONICS		A1
APCO PORTABLE VHF INTERFACES		
IPN:	ISSUE:	VARIANT NUMBER:
220-01734-02	A	?
FILE DATE:	Fri Dec 03 13:08:36 2004	
ENGINEER:	FILE NAME:	SHEET NUMBER:
AH	220_01734	9 OF 9